

DESCRIPTION

The VM-3240E is a multifunctional amplifier that can be mounted in an EIA-Standard equipment rack (3-unit size). The unit comes with the speaker output section which has an internal attenuator and 6-output selector. In addition, the unit features the surveillance function which automatically checks the system for failures.

SPECIFICATIONS

| Version | CE/CE-GB | SA |
|-----------------------|--|--------------------------|
| Power Source | 230 V AC, 50/60 Hz | 220 - 230 V AC, 50/60 Hz |
| Power Consumption | 600 W (with rated output signal), 260 W (according to EN60065) | |
| Rated Output | 240 W | |
| Frequency Response | 50 Hz - 20 kHz, ± 3 dB (at 1/3 rated output) | |
| Distortion | 0.7 % or less (at rated output, 1 kHz) | |
| S/N Ratio | 85 dB or more | |
| Input | Local input: -50 dB* (MIC)/-10 dB* (LINE) (changeable), 600 Ω , electronically balanced, removable terminal block (14 \times 2 pins) External amplifier input: 100 V line, removable terminal block (14 pins) | |
| Output | Speaker output 1 - 2: Max. (240 W) per output Speaker output 3 - 6: Max. (120 W) per output Speaker output 1 - 6: Total within 240 W, removable terminal block (14 pins) Allowable minimum load: 500 Ω (20 W) at 100 V line for speaker line failure detection Direct output: Direct output from internal or external amplifier, removable terminal block (16 pins) | |
| VM Link | Input: Connecting the VM-3240VA or VM-3360VA, RJ45 female connector Output: Connecting the VM-3240E or VM-3360E, RJ45 female connector Maximum distance: 800 m (874.89 yd) Link cable: Category 5 Shielded Twisted-Pair straight cable (CAT5-STP) | |
| EXT PA Link | Connecting the VP-2241, RJ45 female connector Maximum distance: 5 m (16.4 ft) Link cable: Category 5 Shielded Twisted-Pair straight cable (CAT5-STP) | |
| General Control | Input 1 - 8: No-Voltage make contact input, open voltage: 24 V DC, short-circuit current: 2 mA or less, removable terminal block (14 \times 2 pins) Output 1 - 8: Isolated open collector output, withstand voltage: 30 V DC, operating current: 10 mA or less, removable terminal block (14 \times 2 pins) | |
| Emergency Control | Input 1 - 5: No-Voltage make contact input, open voltage: 24 V DC, short-circuit current: 2 mA or less, RJ45 female connector Input 6: Isolated voltage input, Inactive: -24 V ± 20 %, Active: +24 V ± 20 %, RJ45 female connector Status out: Relay contact output, withstand voltage: 40 V DC, operating current: 2 - 300 mA, RJ45 female connector | |
| ATT Control | Relay contact 1-6, 125 V AC or 30 V DC, total under 5 A, removable terminal block (16 pins) | |
| Power Input/Output | Power in: Connecting the VX-2000DS only (operating range: 20 - 40 V DC) PS out: 28 V DC/18 A M4 screw terminal, distance between barriers: 11 mm (0.43") | |
| DC24V Output | 24 V DC, Maximum feeding current 0.3 A | |
| Ds Link | Connecting the VX-2000DS, RJ45 female connector Maximum distance: 5 m (16.4 ft) Link cable: Category 5 Shielded Twisted-Pair straight cable (CAT5-STP) | |
| Operating Temperature | -5 $^{\circ}$ C to +45 $^{\circ}$ C (23 $^{\circ}$ F to 113 $^{\circ}$ F) | |
| Operating Humidity | 5 % to 95 %RH (no condensation) | |
| Finish | Panel: Aluminum, hairline, black Case: Surface-treated steel plate, black, paint | |
| Dimensions | 482 (W) \times 132.6 (H) \times 407 (D) mm (18.98" \times 5.22" \times 16.02") | |
| Weight | 16.5 kg (36.38 lb) | |
| Accessory | Power cable (2 m (6.56 ft)) \times 1, Link cable (3 m (9.84 ft)) \times 2, Plastic foot \times 4, Plastic foot mounting screw \times 4, Removable terminal plug (14 pins) \times 3, Removable terminal plug (16 pins) \times 1 | |



VM EXTENSION AMPLIFIER 240W

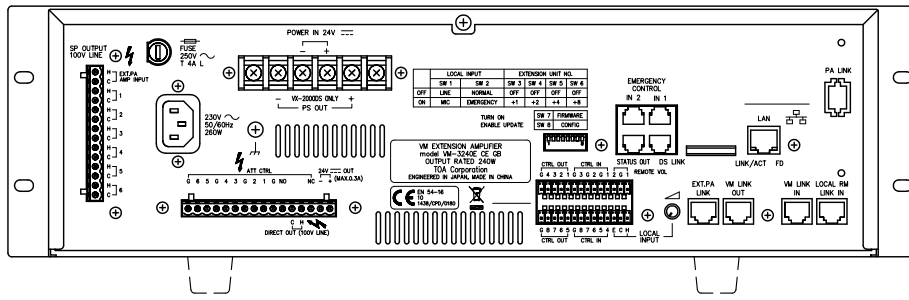
VM-3240E (CE/CE-GB/SA)

■ APPEARANCE

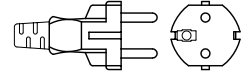
439 [17.28"]

Rear View

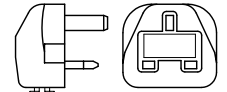
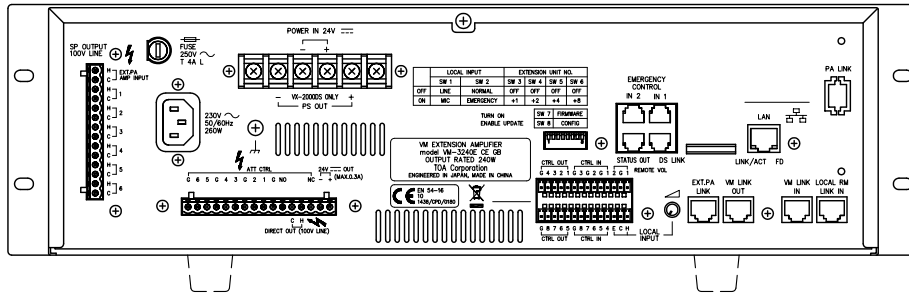
CE version



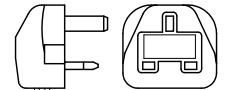
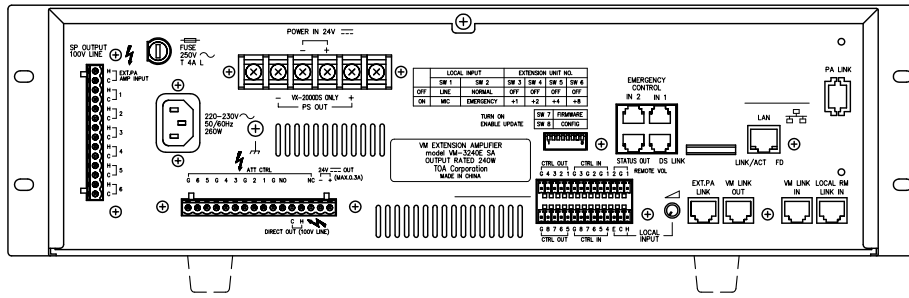
AC plug



CE-GB version

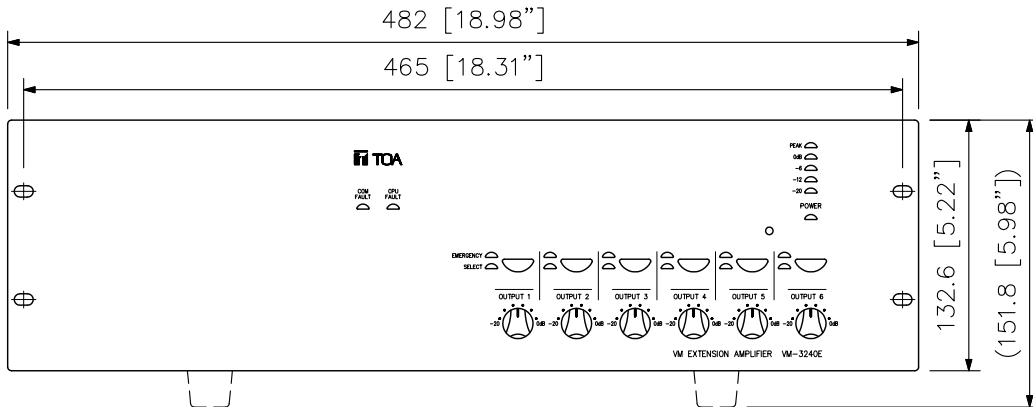


SA version



Front View

37.7 [1.48"]
57.2 [2.25"]

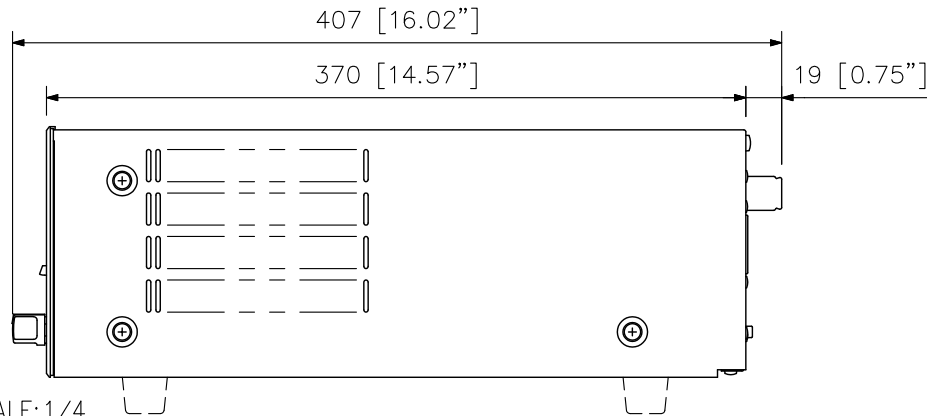


482 [18.98"]

465 [18.31"]

132.6 [5.22"]
(151.8 [5.98"])

Side View



407 [16.02"]

370 [14.57"]

19 [0.75"]

UNIT: mm SCALE: 1/4